

CHEMICAL DOSING / INJECTION UNIT NPE AHP06-1D-35L



The air-driven high-pressure pumps used in the chemical injection unit are particularly built for maximum performance and efficiency. The device has been developed for both on and offshore operations and is housed in 316 Stainless Steel trolley for portability.

Pumps are suitable for various media including water, oils, chemicals. Some of the applications in the chemical and Offshore industries are injection of inhibitors such as methanol and glycol in wells, injection of coolants, charging hydraulic accumulators, actuation of subsea valves, pipeline testing, Hydro testing, etc.

A chemical injection unit injects a precise amount of specific chemicals into a system at the proper temperatures, pressures, and flowrates. A chemical injection unit consists of a chemical dosing pump, instruments, piping, valves, 4L calibration column, stroke counter and a trolley mounted construction.

GENERAL SPECIFICATIONS

Air drive pressure	1-8.6 bar/14.5-125 psi
Maximum pressure PSI	301 bar / 4,375 psi
Nominal ratio	35 : 1
Displacement volume	98 cm ³ / Cycle
Connections	
Inlet	1 ¼" NPT-F with 2" Camlock F adaptor
Outlet	½" NPT
Air drive	¾" Minsup adaptor
Max operating temperature	60° C

MATERIALS OF CONSTRUCTION

Pump Body	Stainless steel (17-4-PH)
Piston	Stainless steel (17-4-PH)
Seal package	UHMWPE (ultra-high molecular weight polyethylene) / FKM

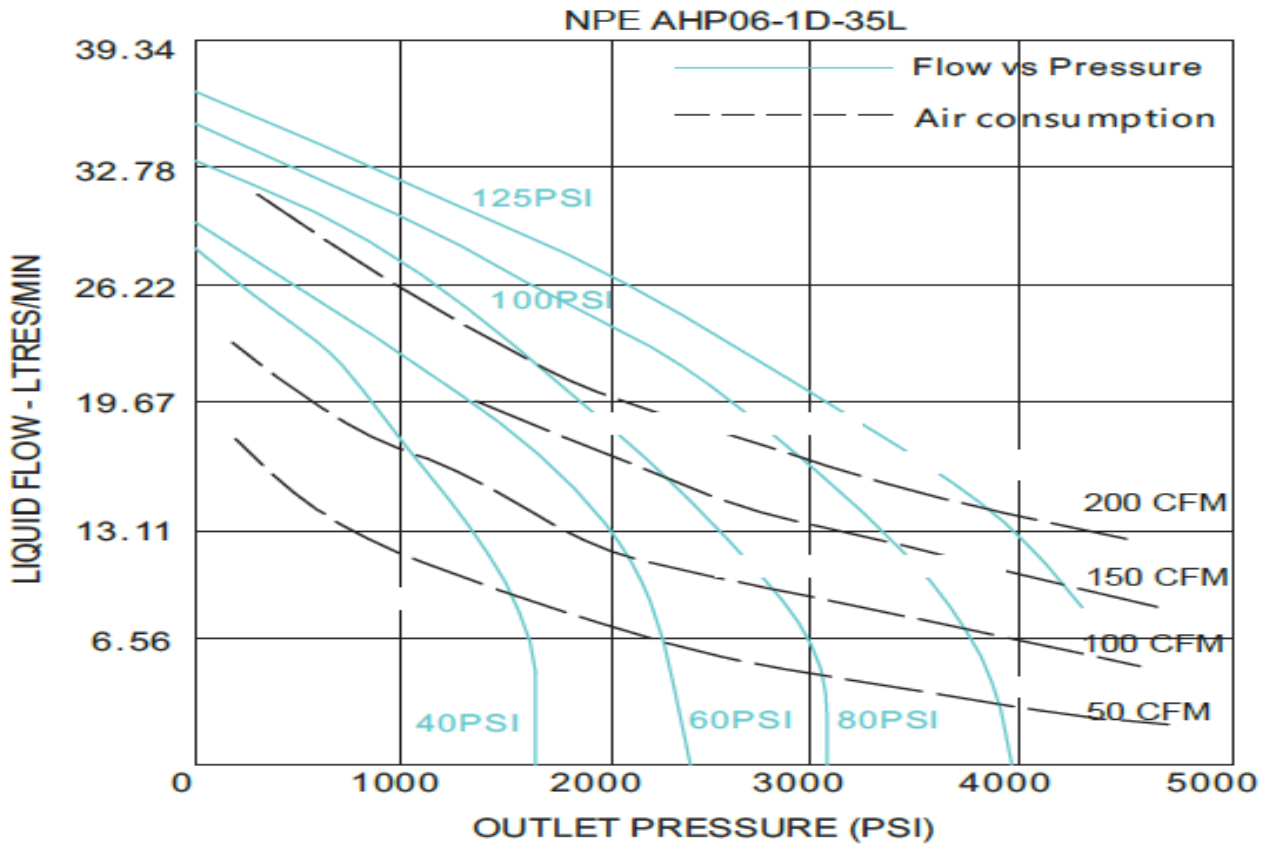
KEY FEATURES

- Durable, High-Quality materials
- Long stroke, single drive double acting pump
- Accurate and Repeatable Injection
- Quick Maintenance and Low Downtime
- Explosion proof, no electrical power required.
- Stall feature / Pressure maintained without energy consumption – Suitable for hydro testing.
- Air filter regulator valve
- Stroke Counter
- Pressure Gauge (Optional - Calibrated)
- PRV 1000-4375 psi (Optional NATA recert)
- Lift, Protection Cage with MO32 certifications (optional)

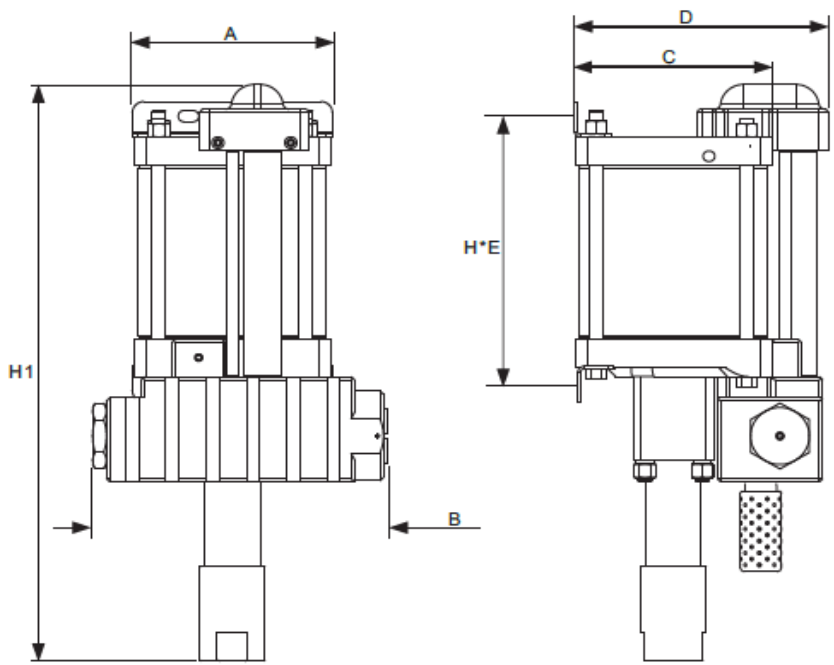


CHEMICAL DOSING / INJECTION UNIT NPE AHP06-1D-35L

PUMP PERFORMANCE CURVE



PUMP DIMENSIONS (WITHOUT FRAME)



Size A	173mm
Size B	254mm
Size C	171mm
Size E	76.2mm
Size H	243mm
Size H1	500mm
Size D	220mm

