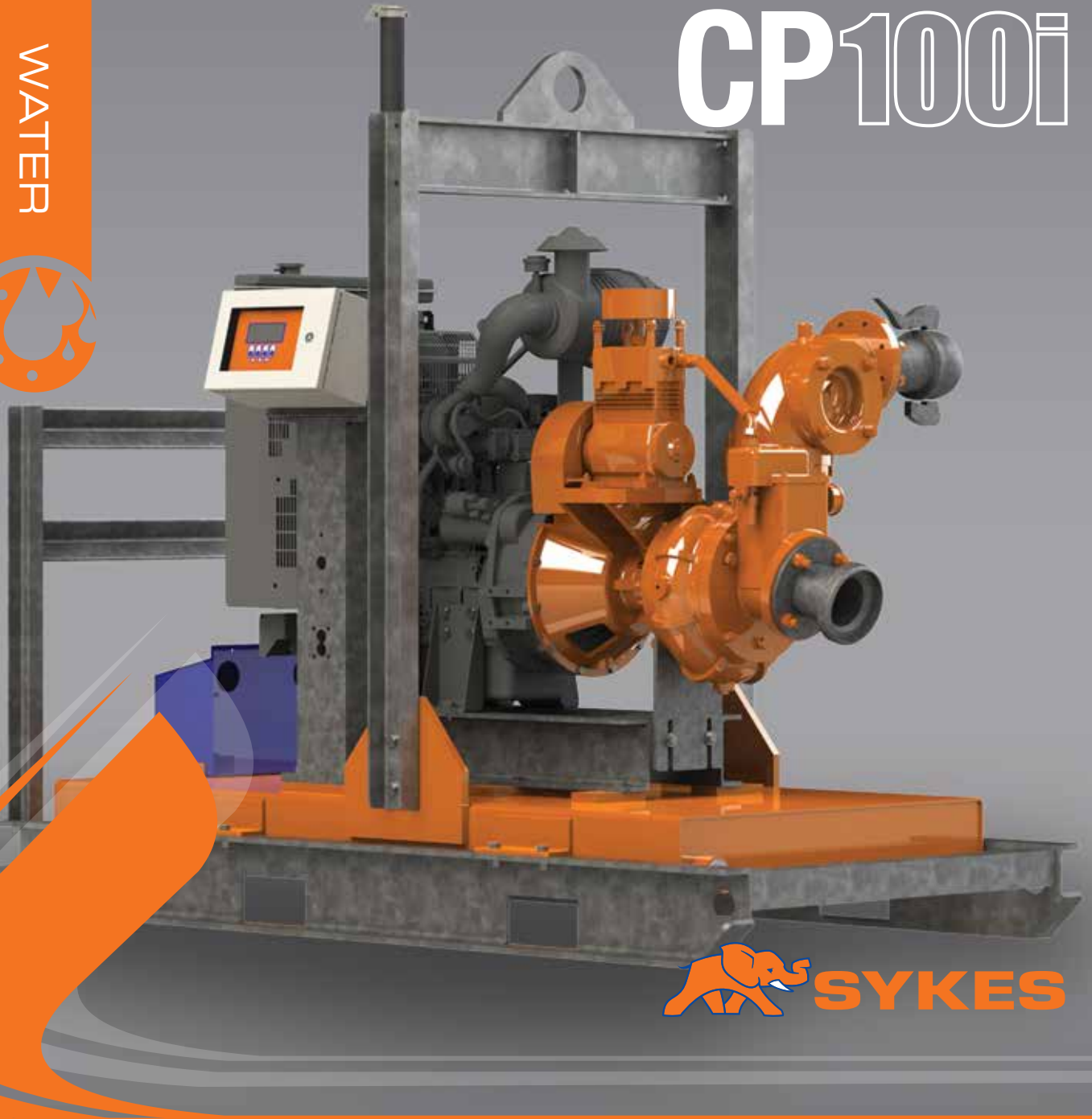


WATER

CP100i



Diesel Drive Auto Prime Contractor Pump

The Contractors pump range has been designed to provide greater cost efficient fluid handling solutions for all users.

The range offers efficiency levels of 83% which translate into benefits for the end user and the environment.

Contractors pumps are a fully automatic priming pump and can run dry for extended periods due to the oil bath

mechanical seal assembly which allows priming with long suction hoses and suction lifts of up to 9 metres (28 feet). As fluid levels fluctuate, the pump will "snore" until the liquid is available for the pump to fully reprime itself automatically.

Built with the highest quality materials , 316 SS Impeller and wear plates as standard.

CONTRACTORS RANGE

1800 PUMP RENTAL

nationalpump.com.au | sales@nationalpump.com.au



NPE

NATIONAL PUMP & ENERGY

Features

- Low fuel usage
- Reduced engine sizes
- Lower maintenance costs
- Dry self prime and reprime
- Close coupled SAE Bearing Frames
- Suction lifts to 9m
- Operates in 'snore' conditions
- Vacuum Priming option available for ground dewatering.

- Diesel, electric or hydraulic drive
- Solids handling
- Simple maintenance
- Replaceable wear parts
- Chassis - skid, road tow, wheeled, caged
- Powered by Perkins or Cat Engines.
- Other engines available on request
- Custom build available
- Sykes purpose built Control panel

Application

- Construction
- Environmental
- Industrial
- Mining
- Clean Water
- Sludge
- Slimes
- Sewage
- Solids laden liquids
- Ground Dewatering
- Pipeline & Drilling
- Jetting
- Quarries

Technical Data

MATERIALS OF CONSTRUCTION

Pump Casing:	S.G. IRON 400/12
Suction Cover:	S.G. IRON 400/12
Air Separation Tank:	S.G. IRON 400/12
Bearing Bracket:	S.G. IRON 400/12
Pump Shaft:	431 Stainless Steel
Impeller:	316 Stainless Steel
Wearplates:	316 Stainless Steel
Mechanical Seal:	Silicon Carbide/ Silicon Carbide
N.R.V. (Ball Type):	S.G. IRON 400/12

DESIGN DETAILS

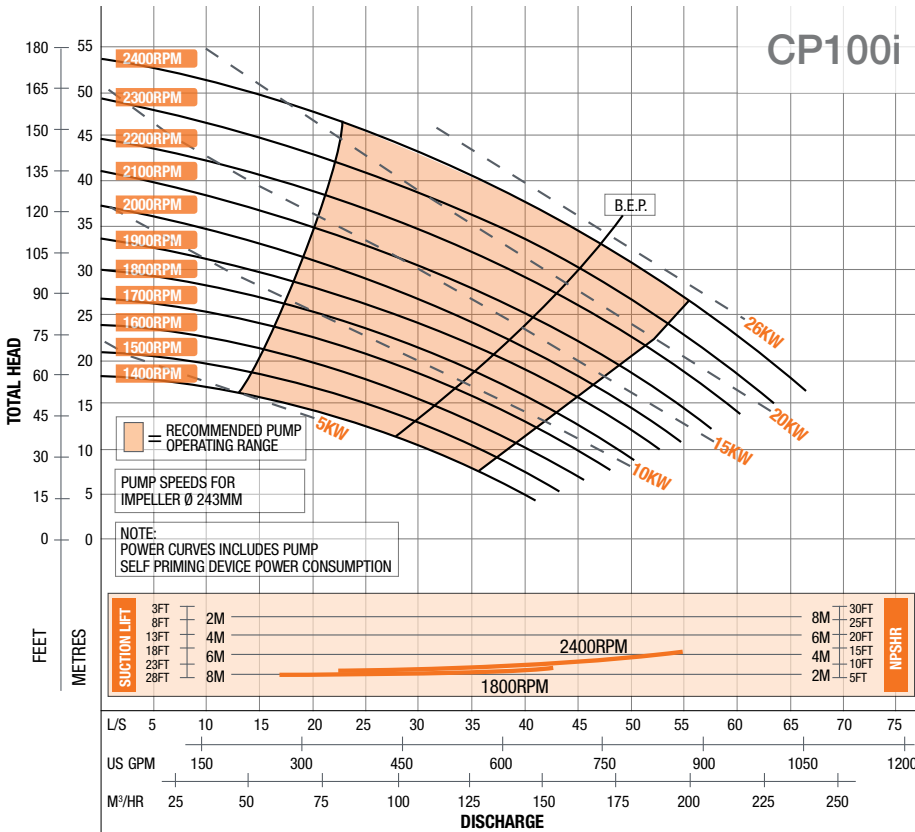
Single Stage, end suction type, 2 vane fully open impeller, Centrifugal pump

Nominal Casing Thickness (mm/in):	10/0.4
Suction Flange (mm/in):	100/4
Delivery Flange (mm/in):	100/4
Solids Handling Size (mm/in):	45/1.8
Maximum Head (m/ft):	54m/177
Maximum Capacity:	67 L/sec

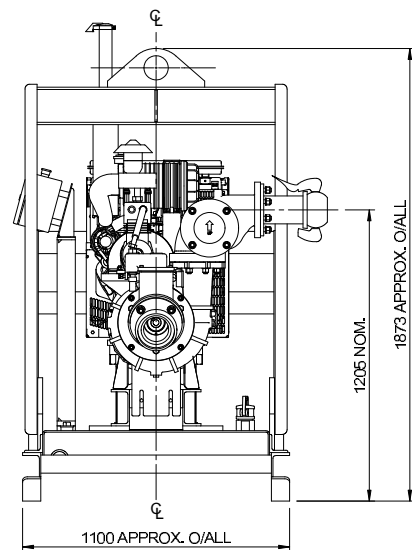
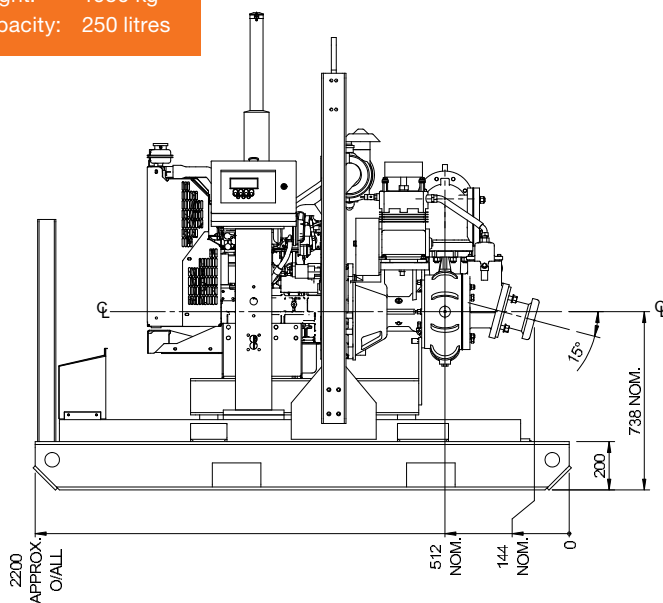
FUEL USAGE (L/HR) @ BEP

Speed (rpm)	POWER USAGE (kW)	FUEL RATE (L/hr)	RUN TIME (hrs - 250L fuel tank)
1400	5.5	1.36	184
2000	14	3.46	72
2400	25	6.18	40

CALCULATIONS BASED ON 210 g/kw.hr



Dry Weight: 1050 kg
Fuel Capacity: 250 litres



Final weight and dimensions will depend on completed specifications

All this information in this document is substantially correct at the time of printing and may be altered subsequently

1800 PUMP RENTAL

nationalpump.com.au | sales@nationalpump.com.au



NPE

NATIONAL PUMP & ENERGY