

Pioneer Prime

PP44S10L71



Typical Pump Configuration

Performance

Pioneer Prime series - vacuum assisted, end suction centrifugal pump

Bare shaft, frame mounted, fully automatic dry priming, vacuum assisted, run dry, heavy duty solids handling pump

| | |
|----------------------|--|
| Size | 4" x 4" 100 x 100 mm |
| Flow, Max | 1,600 GPM 370 m ³ /hr 100 l/s |
| Head, Max | 150 feet 183 meters |
| Flow at BEP | 800 USGPM 180 m ³ /h 50 l/s |
| Efficiency at BEP | 63% |
| Solids Handling, Max | 3.0" 76 mm |
| Operating Speed, Max | 2000 rpm |
| Suction Connection | 4" 150 ANSI Flanges |
| Delivery Connection | 4" 150 ANSI Flanges |
| Lubrication | Oil STD Grease optional |
| Fasteners | Imperial |

Applications

| | |
|--------------|------------------|
| Construction | Waste Water |
| Industrial | Power Generation |
| Mining | Environmental |

PosiValve™ Patent #6,783,730 PP44S10L71_03.14

High flow, solids handling heavy duty pump

The PP44S10 is a high flow, ruggedized pump designed to operate over a broad range of performance while delivering outstanding suction lift. The rugged construction and modular design provide proven reliability and flexibility in the most demanding applications.

UltraPrime™ Priming System

| | |
|------------------------|---|
| Priming System | Mechanically Driven Diaphragm Style Vacuum Pump |
| Air Removal Capability | 50 CFM |
| Priming Chamber | Single chamber with positive sealing air separation PosiValve™ with stainless steel float ball & linkage. |
| Discharge Check Valve | Swing Style - ductile iron with Buna-n Disc |

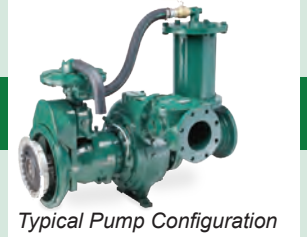
Other Specifications

| | |
|-------------------|--|
| Mechanical Seal | Single seal w/ tungsten carbide vs. silicon carbide seal faces, Viton® elastomers, 300 series stainless steel hardware and spring, designed for indefinite dry running |
| Pump End Bearing | Single row ball |
| Drive End Bearing | Single row ball |
| Shaft | 1144 Stress Proof Steel |

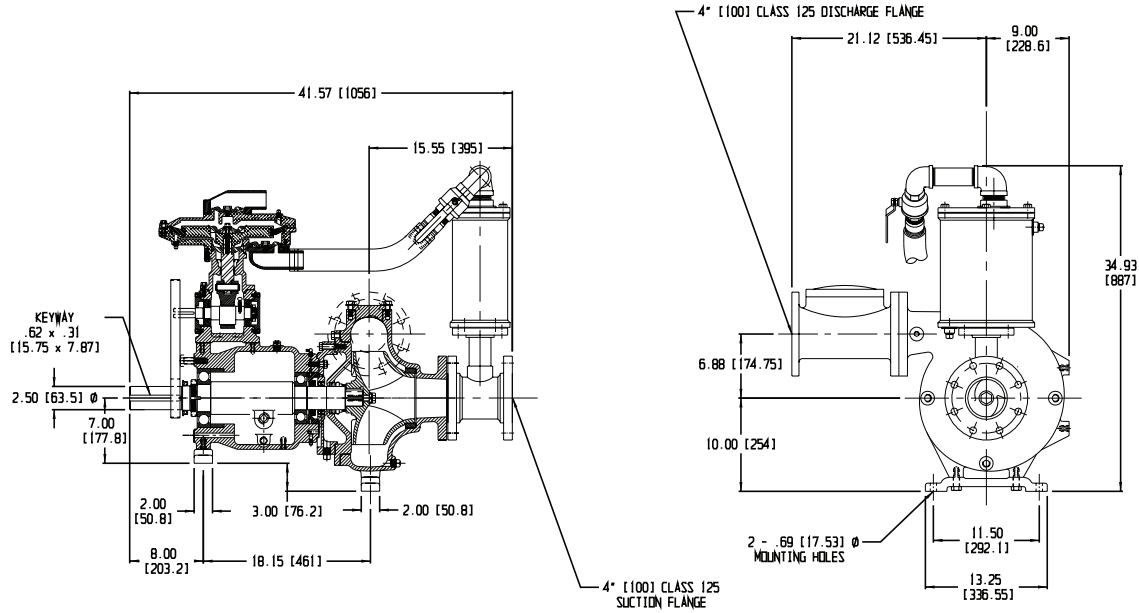
Construction Materials

| | Standard Construction | Optional Constructions | |
|--------------------|-----------------------------|------------------------|--------|
| | | CD4MCu | 316 SS |
| Impeller | CA6NM SS | CD4MCu | 316 SS |
| Wear Ring | ASTM A48 Class 40 Gray Iron | 316 SS | 316 SS |
| Suction Cover | ASTM A536 65-45-12 | CD4MCu | 316 SS |
| Volute | ASTM A536 65-45-12 | CD4MCu | 316 SS |
| Brac-plate/bracket | ASTM A536 65-45-12 | CD4MCu | 316 SS |
| Backplate | ASTM A536 65-45-12 | CD4MCu | 316 SS |

Mechanical Dimensions

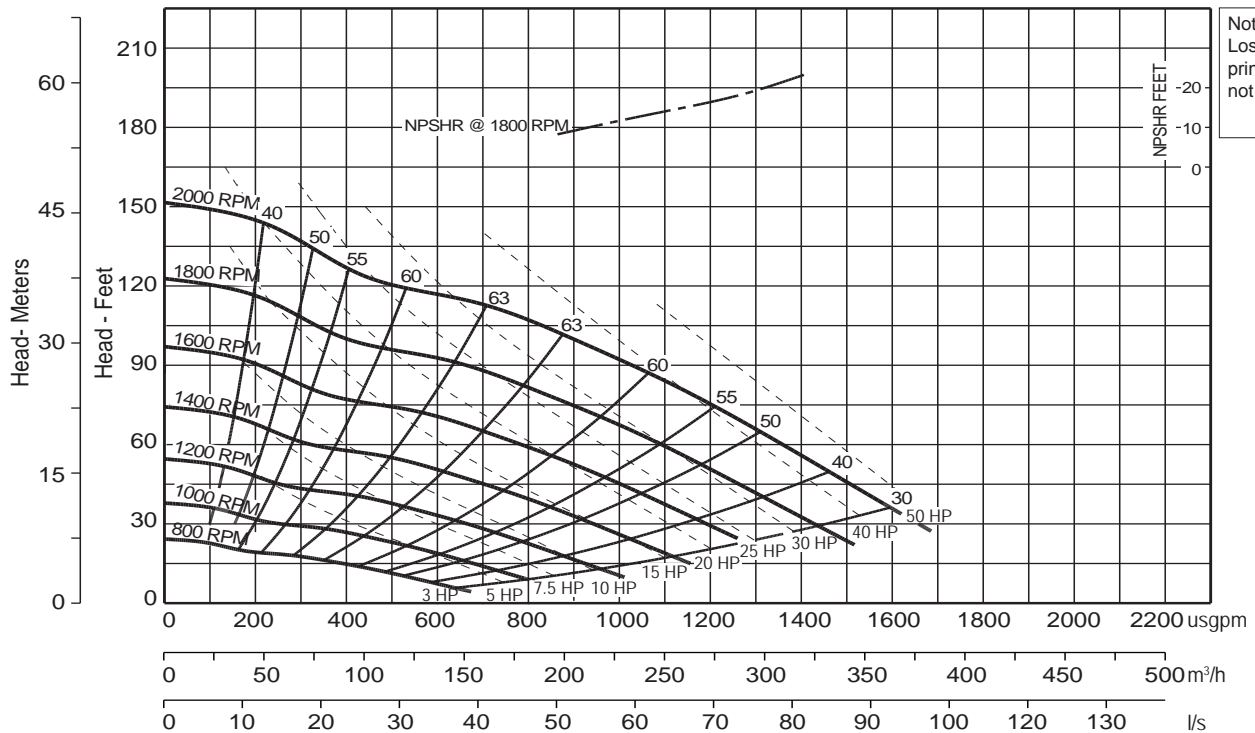


PP44S10



Performance Curve

| | | | | |
|----------------|-------------------|-----------------|-------------------|----------------|
| Model: PP44S10 | Impeller Dia: 10" | Speed: Variable | Solids Size: 3.0" | Curve #07903HQ |
|----------------|-------------------|-----------------|-------------------|----------------|



1800 PUMP RENTAL

nationalpump.com.au | sales@nationalpump.com.au

