

Pioneer Prime

PP66S14L71



Typical Pump Configuration

Performance

Pioneer Prime series - vacuum assisted, end suction centrifugal pump

Bare shaft, frame mounted, fully automatic dry priming, vacuum assisted, run dry, heavy duty solids handling pump

Size	6" x 6" 150 x 150 mm
Flow, Max	3,300 USGPM 760 m ³ /h 210 l/s
Head, Max	275 feet 80 meters
Flow at BEP	2700 USGPM 620 m ³ /h 170 l/s
Efficiency at BEP	75%
Solids Handling, Max	3.0" 76 mm
Operating Speed, Max	2200 rpm
Suction Connection	6" 150 ANSI Flanges
Delivery Connection	6" 150 ANSI Flanges
Lubrication	Oil STD Grease optional
Fasteners	Imperial

Applications

Construction	Waste Water
Industrial	Power Generation
Mining	Environmental
PosiValve™ Patent #6,783,730 PP66S14L71_03.14	

High flow, solids handling heavy duty pump

The PP66S14 is a high flow, ruggedized pump designed to operate over a broad range of performance while delivering outstanding suction lift. The rugged construction and modular design provide proven reliability and flexibility in the most demanding applications.

UltraPrime™ Priming System

Priming System	Mechanically Driven Diaphragm Style Vacuum Pump
Air Removal Capability	50 CFM
Priming Chamber	Single chamber with positive sealing air separation PosiValve™ with stainless steel float ball & linkage.
Discharge Check Valve	Swing Style - ductile iron with Buna-n Disc

Other Specifications

Mechanical Seal	Single seal w/ tungsten carbide vs. silicon carbide seal faces, Viton® elastomers, 300 series stainless steel hardware and spring, designed for indefinite dry running
Pump End Bearing	Single row ball
Drive End Bearing	Single row ball
Shaft	1144 Stress Proof Steel

Construction Materials

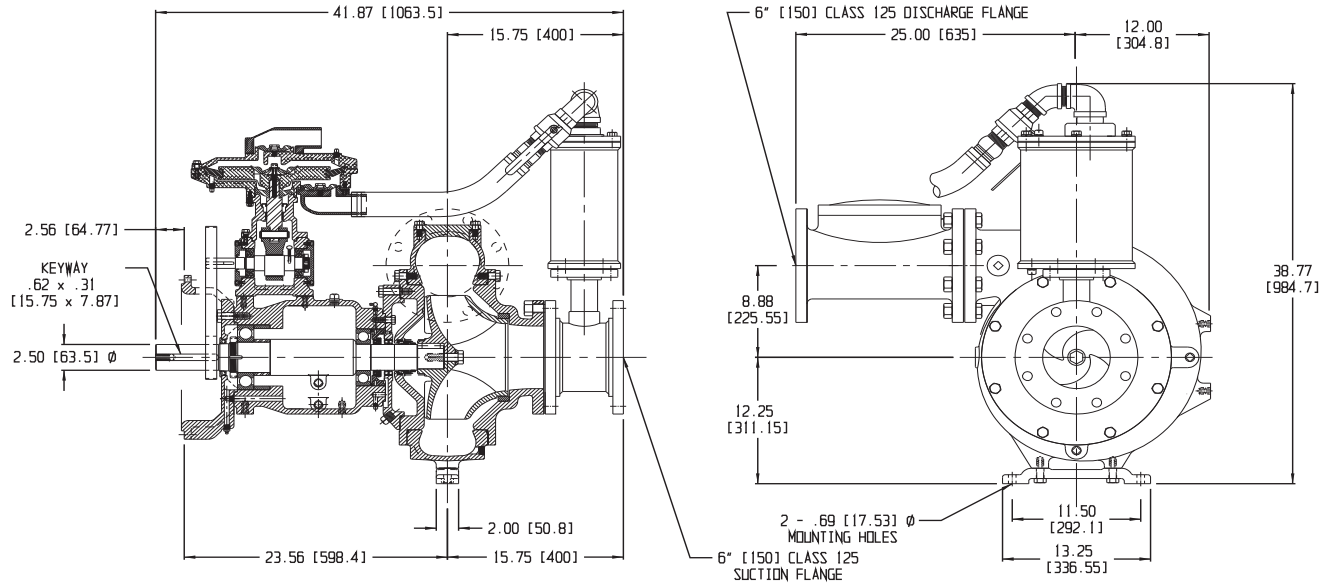
	Standard Construction	Optional Constructions	
Impeller	CA6NM SS	CD4MCu	316 SS
Wear Ring	ASTM A48 Class 40 Gray Iron	316 SS	316 SS
Suction Cover	ASTM A536 65-45-12	CD4MCu	316 SS
Volute	ASTM A536 65-45-12	CD4MCu	316 SS
Brac-plate/bracket	ASTM A536 65-45-12	CD4MCu	316 SS
Backplate	ASTM A536 65-45-12	CD4MCu	316 SS

Mechanical Dimensions



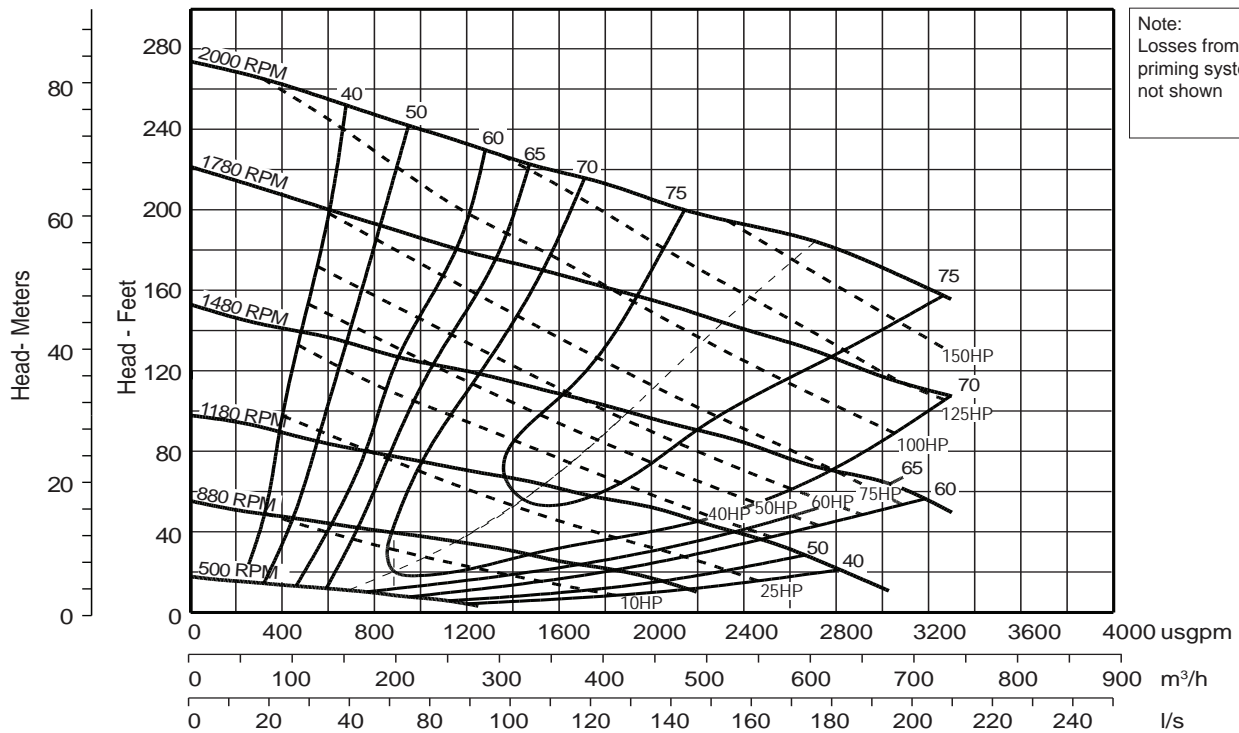
Typical Pump Configuration

PP66S14



Performance Curve

Model: PP66S14	Impeller Dia: 14"	Speed: Variable	Solids Size: 3.0"	Curve #A07976HQ
----------------	-------------------	-----------------	-------------------	-----------------



1800 PUMP RENTAL

nationalpump.com.au | sales@nationalpump.com.au

