

DRAGFLOW HY85A-B SUBMERSIBLE SLURRY PUMP

Hydraulic pump **HY85A/B**

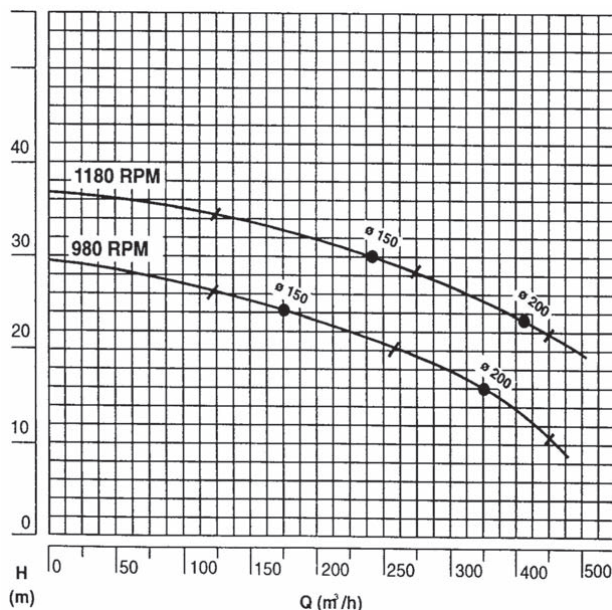
Technical specifications:		
Model:	A	B
Capacity:	200-240 m ³ /h	350-420 m ³ /h
Head:	22-30 m	16-23 m
Weight:	700 Kg	730 Kg
Cross section:	ø 60 mm	ø 60 mm
Impeller:	3 vanes closed / ø 440 mm	3 vanes closed / ø 440 mm
Bore:	ø 150 mm	ø 150 mm

Motor:		
Speed:	980-1180 R.P.M.	980-1180 R.P.M.
Output:	44-62 kW (60-85 HP)	44-62 kW (60-85 HP)
Need of oil:	106-130 L/min.	106-130 L/min.
Oil pressure:	250-300 bar	250-300 bar
Motor displacement:	108 c.c.	108 c.c.

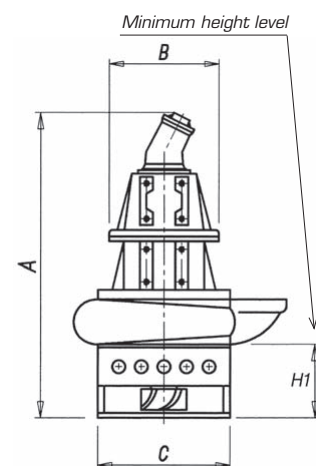
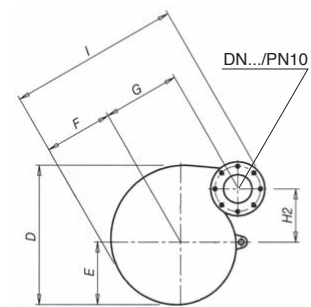
Materiali:	
Main Body:	spheroidal cast iron GS500.
Motor Housing:	cast iron G25.
Wearing parts:	high chrom.
Main Shaft:	austempering NiCrMo4 Steel.

Seals:	
Seals motor zone:	n°2 rubber lip seals.
Seals impeller zone:	n°1 polyuretane V-RING n°3 rubber lip seals n°2 PTFE lip seals with stainless steel spring (alternate).

Performance Curve Dimensions



A (mm)	1390
B (mm)	460
C (mm)	548
D (mm)	747
E (mm)	334
F (mm)	362
G (mm)	428
H1 (mm)	290
H2 (mm)	197
I (mm)	933



Dragflow srl - Via Spagna 13 - 37069 Villafranca (VR) Italy
 tel. +39.045.6304521 - fax +39.045.6335758
 info@dragflow.it - www.dragflow.it

